

# FLOW SWITCH

# MODEL Q-16 Q-16SS

## THE Q-16 STAINLESS STEEL. MAXIMUM RELIABILITY, MINIMUM COST.

The Q-16 Stainless Steel is the newest addition to Harwil's heavy-duty line of flow switches. The switch is used to signal, start, or stop electronically operated equipment when flow or no-flow conditions occur. The Q-16 Stainless Steel benefits from 40 years of flow switch development experience for every conceivable application.

Harwil's elastomeric sealing system is superior to the metal bellows that are subject to metal fatigue and corrosion. This seal system has been field-proven for decades.

The Q-16 Stainless Steel can be used in pipes 1 inch and larger, with set points as low as 4 GPM (15.2 LPM) to over 500 GPM (1,893 LPM) in larger pipe sizes. The Q-16 Stainless Steel uses a 15A SPDT micro switch that can control a 1/2 horsepower motor.

- Multiple Quick-Change Paddles
- EPDM Seal, Superior To Metal Bellows
- Field Adjustable Set Points
- Field Adjustable Paddles
- Direct Replacement For Most Paddle-Type Flow Switches
- Best Flow Sensitivity Among Paddle-Type Flow Switches
- Stainless Steel Paddles, Shaft and Body
- NEMA 1 Enclosure
- Industry-Leading 3 Year Warranty**



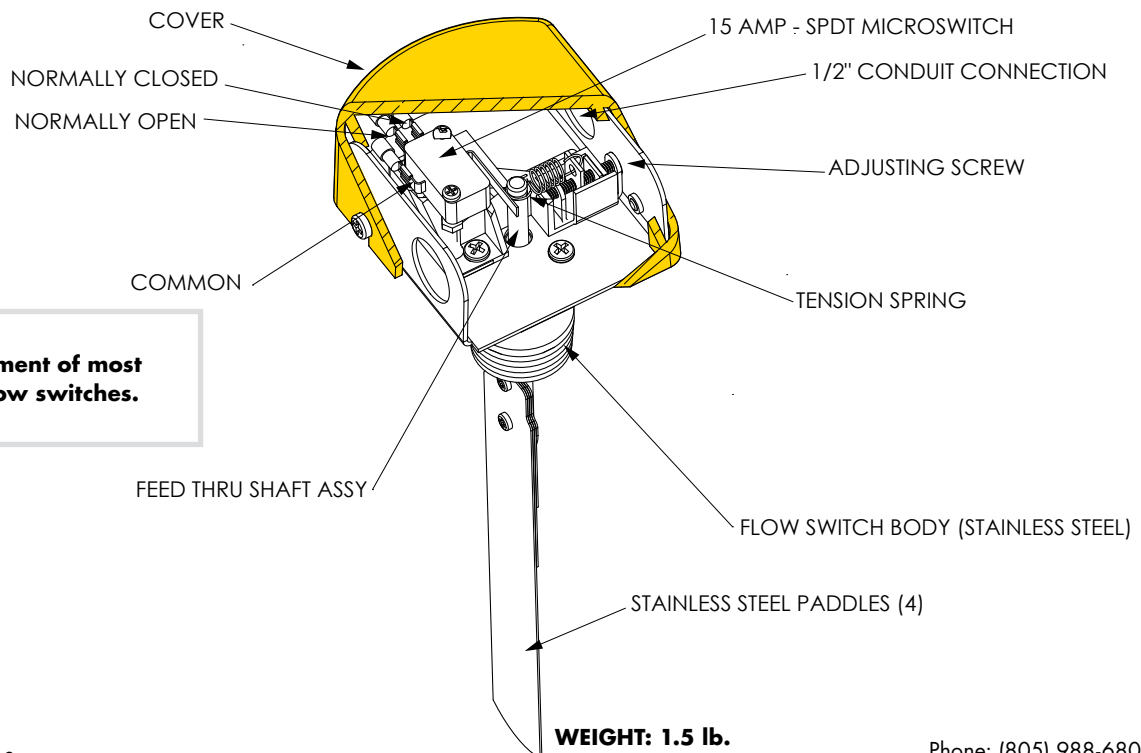
### KEY FEATURES

Flow Range	<b>4-500 GPM (15-1,893 L/m)</b>
Working Temp	<b>250°F (121°C) Maximum</b>
Working Pressure	<b>200 psi (1379 kPa)</b>
Process Connection	<b>1" NPT</b>
Electrical Switch	<b>SPDT 15A</b>
Enclosure	<b>NEMA 1 / IP 10</b> (Not for use in hazardous locations)

### TYPICAL USES

- For use in
- Boilers
  - Chillers
  - Irrigation
  - Cooling Towers
  - Water Treatment

### PRODUCT DIAGRAM



**For direct replacement of most 1" paddle style flow switches.**

**WEIGHT: 1.5 lb.  
0.68 kg**



541 Kinetic Drive  
Oxnard, CA 93030  
www.harwil.com

v8.01

# MODEL Q-16 Q-16SS

MODEL SELECTION CHART				
Flow Range (Water calibrated at 70°F / 21°C) Accuracy ±10%				
PIPE SIZE	SWITCHPOINT RANGE (GPM)			
	MIN. ADJUST.		MAX. ADJUST.	
	ON	OFF	ON	OFF
1"	4	2	8	7
1½"	7	5	13	11
2"	12	7	27	26
2½"	18	12	35	32
3"	27	19	52	49
4"	63	50	123	120
5"	125	100	238	232
6"	190	158	350	338

Call our customer support for a wider range of pipe sizes. (805) 988-6800

### HYSTERESIS (Δ FLOW RATE TO ACTIVATE/DEACTIVATE SWITCH)

- ≈ 10% at upper end of flow range
- ≈ 30% at lower end of flow range

### DIFFERENTIAL PRESSURE DROPS ACROSS UNIT

Under normal operating conditions:

- ≈ 1"-3" pipe, less than 1 psi
- ≈ 4"-48" pipe, negligible

### Q-16 MATERIALS:

Body and shaft: Brass and 304 stainless steel; Paddles: 316 stainless steel; Seal: EPDM elastomer

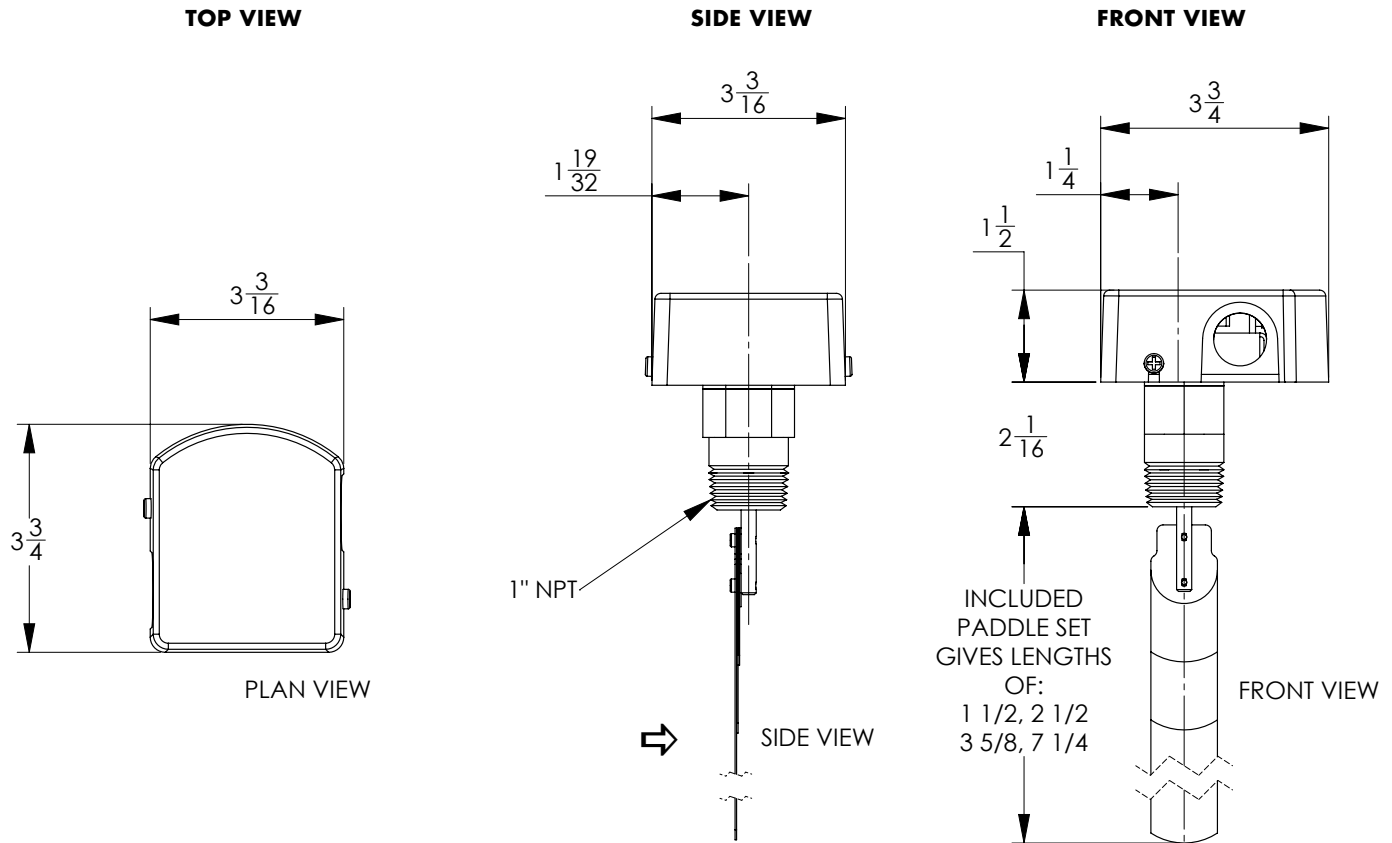
### Q-16SS MATERIALS:

Body and shaft: 304 stainless steel; Paddles: 316 stainless steel; Seal: EPDM elastomer

### ELECTRICAL SWITCH CHARACTERISTICS

- SPDT
- 15A, ½ hp @ 125 or 250VAC
- ¼A @ 250VDC
- 10,000,000 Operations Median
- ½A @ 125VDC

## INSTALLATION DIMENSIONS



- Installation drawing and a numbered parts list is supplied with each unit.
- Special one-day delivery is available.